

- NOTES:
- A. FOR REFERENCE ONLY UNLESS PROPERLY ENDORSED. FOR ADDITIONAL DETAILS AND SPECIFICATIONS, CONSULT FACTORY.
 - B. DIMENSIONS ARE IN INCHES [MILLIMETERS].
 - C. HATCHED AREA INDICATES PERMISSIBLE CONDUIT ENTRANCE AREA.
 - D. FANS, FILTERS, LEG STANDS OR CLOSING PLATES ARE SUPPLIED WHEN OPTION MIX NECESSITATES.
 - E. USE APPROPRIATE TYPE RATED HUBS OR FITTINGS TO MAINTAIN ENCLOSURE RATING.

REVISIONS

REV.	DESCRIPTION	DRAWN BY	ECO	DATE
03	ADDED NEW TOP	JDE	7119	4/1/16
02	ADDED NEW 12" AND 30" LEG STANDS	JDE	4526	9/11/13
01	ADDED NEW 12" AND 30" LEG STANDS	JDE	4462	8/16/13

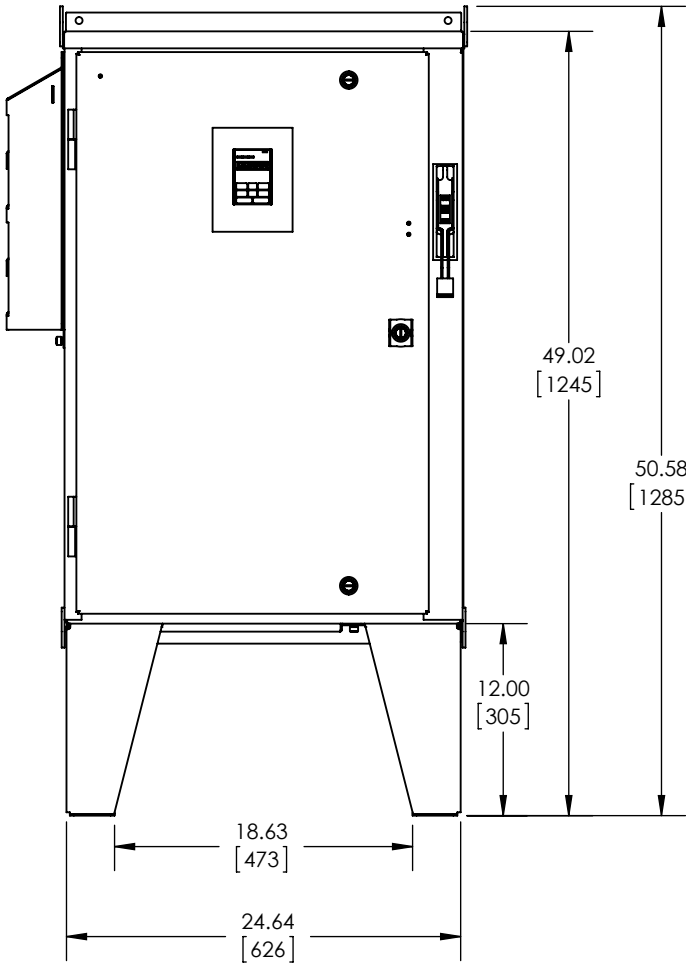
YASKAWA

THIS DOCUMENT AND INFORMATION CONTAINED IN IT ARE CONFIDENTIAL, AND CANNOT BE COPIED OR DISCLOSED IN WHOLE OR IN PART WITHOUT THE EXPRESS WRITTEN CONSENT OF YASKAWA AMERICA INC.

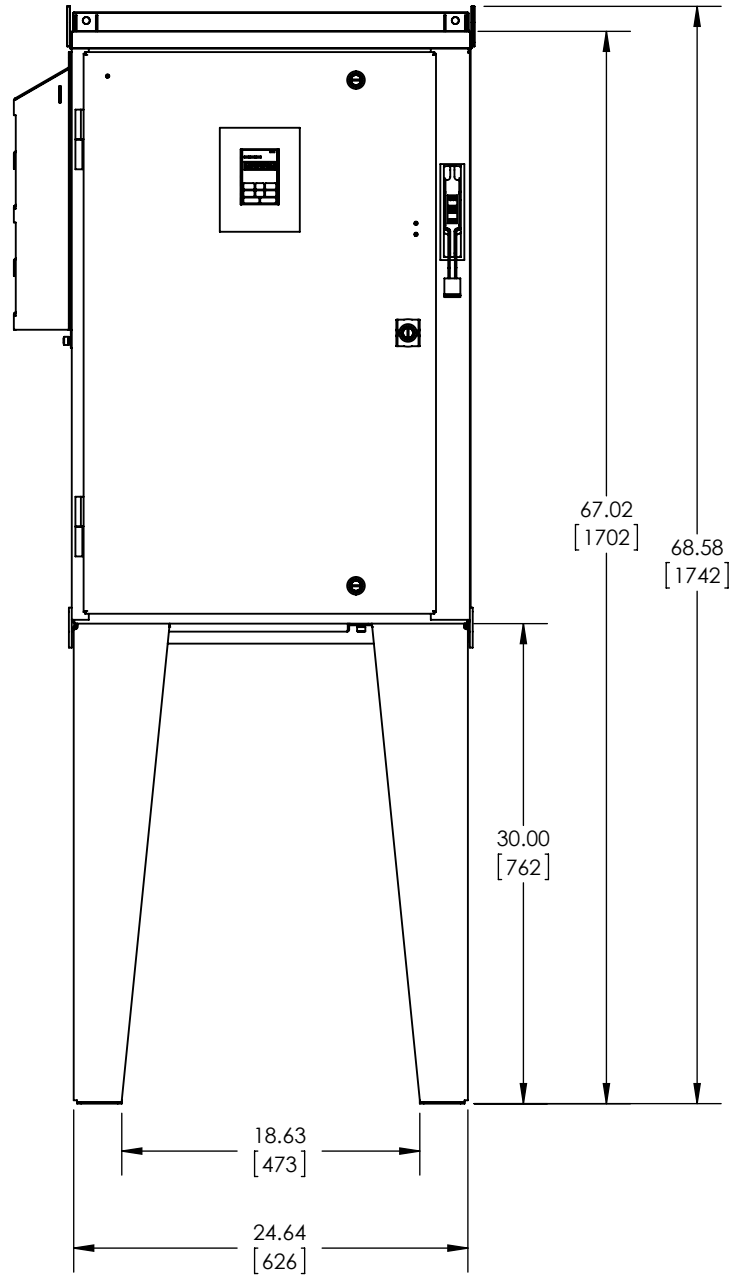
DRAWN: JDE	DATE: 04/25/2013
CHECKED: RKM	DATE: 04/25/2013
TECH:	DATE:
APPROVED: BJJ	DATE: 05/02/2013
ORIGINAL DESIGN: JDE	DATE: 04/19/2013

TITLE: DIMENSION DRAWING, Z1000 TYPE 3R, W3		
MATERIAL# ---		
SIZE: A	REVISION: 03	PAGE: 1 OF 2
DRAWING #: DD.Z1.3R.W3.01		

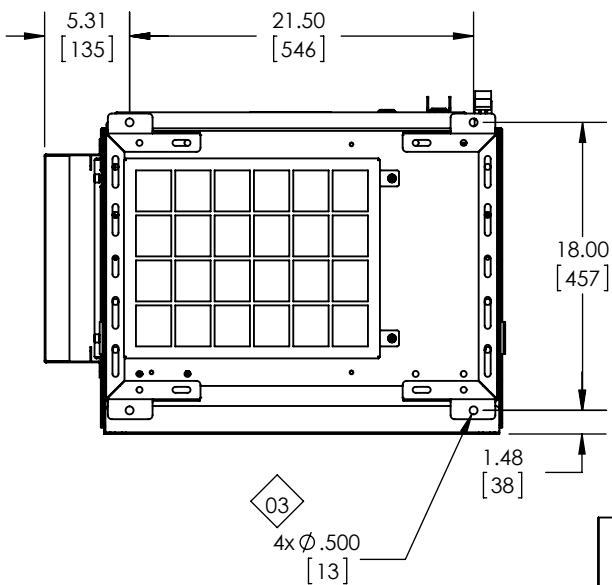
LEG STAND MOUNTING OPTION DIMENSIONS



12.0" HIGH LEGS



30.0" HIGH LEGS



NOTE: DRILL PATTERN SAME FOR 12" AND 30" HIGH LEGS

YASKAWA	DRAWN: JDE	DATE 04/25/2013	TITLE: DIMENSION DRAWING, Z1000 TYPE 3R, W3	
	CHECKED: RKM	DATE 04/25/2013		
THIS DOCUMENT AND INFORMATION CONTAINED IN IT ARE CONFIDENTIAL, AND CANNOT BE COPIED OR DISCLOSED IN WHOLE OR IN PART WITHOUT THE EXPRESS WRITTEN CONSENT OF YASKAWA AMERICA INC.	TECH:	DATE	MATERIAL#	---
	APPROVED: BJJ	DATE 05/02/2013	SIZE A	REVISION 03
	ORIGINAL DESIGN: JDE	DATE 04/19/2013	DRAWING #:	DD.Z1.3R.W3.01
			PAGE	2 OF 2